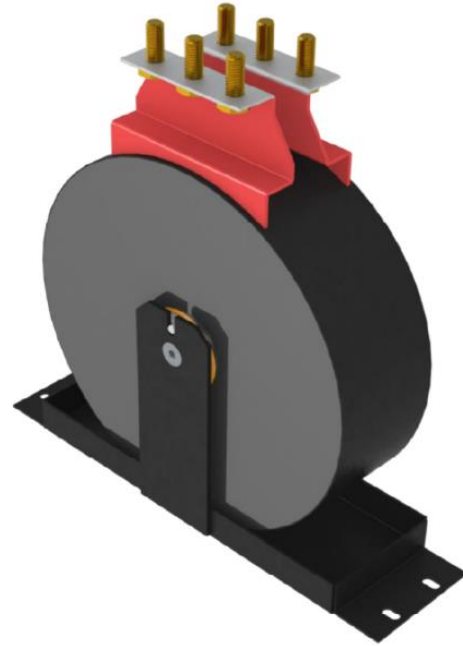


Power Ring Film Capacitor 1800 μ F, 1000 Vdc

The 700D722 series Power Ring assembly is an 1800 μ F, 1000 Vdc, single winding, DC Link Capacitor with an ESR less than 400 $\mu\Omega$ at 20 kHz, an ESL less than 50 nH. This assembly is meant to replace a TPC/AVX FFLC6-3435-A box capacitor. See image on last page to see comparison.



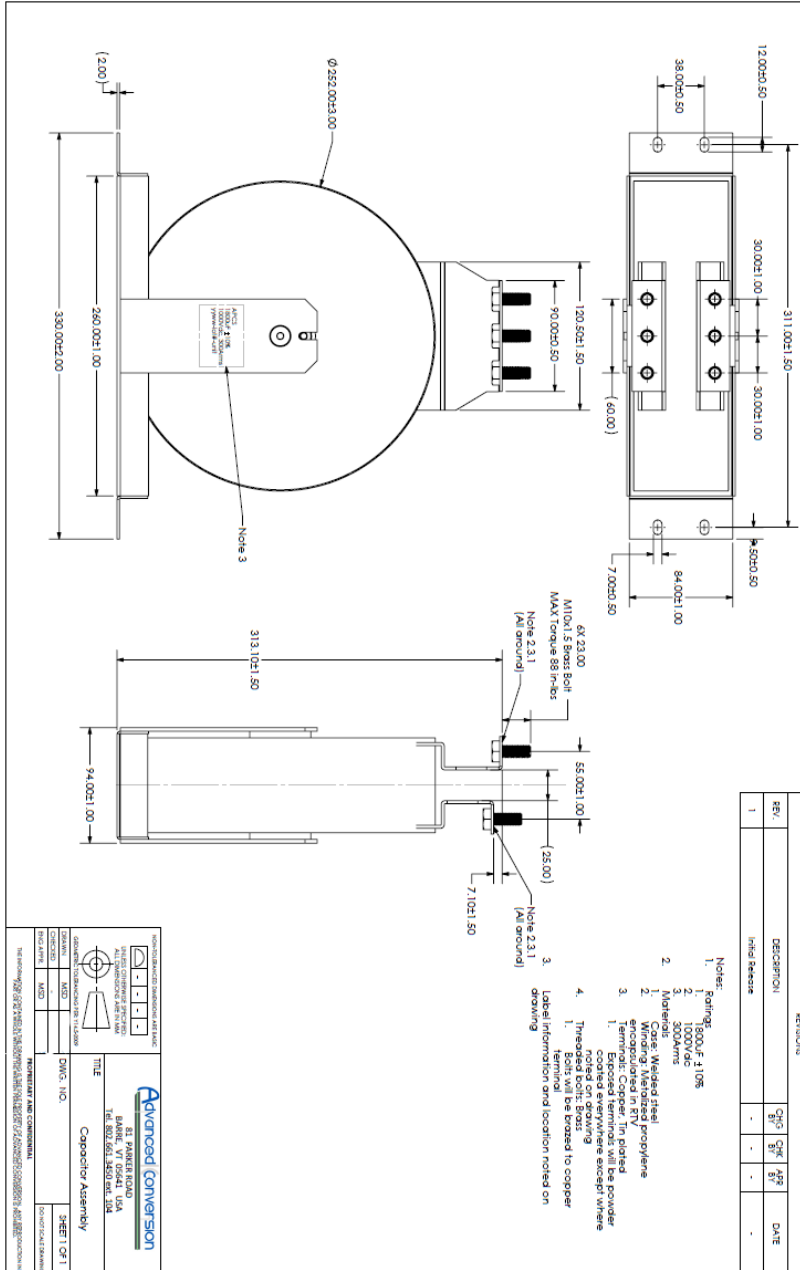
Electrical Specifications

Part #:	700D722
Capacitance/Tolerance:	1800 μ F \pm 10%
DC Voltage Rating:	1000 Vdc
Dielectric:	Metallized polypropylene film
ESL at Terminals:	< 50 nH
Typical ESR vs. Frequency:	<400 $\mu\Omega$ at 20 kHz
Continuous DC Voltage Rating:	1000 Vdc up to 85°C (de-rate linearly from 1000 Vdc to 650 Vdc from 85°C to 105°C)
Maximum DC Voltage:	Units 100% tested at DC voltage of 1150 Vdc for 2 minutes at 25°C
Operating Temperature:	-40°C to +105°C
Maximum Current:	300 Arms
Life:	75°C Hotspot rated voltage 200,000 hours

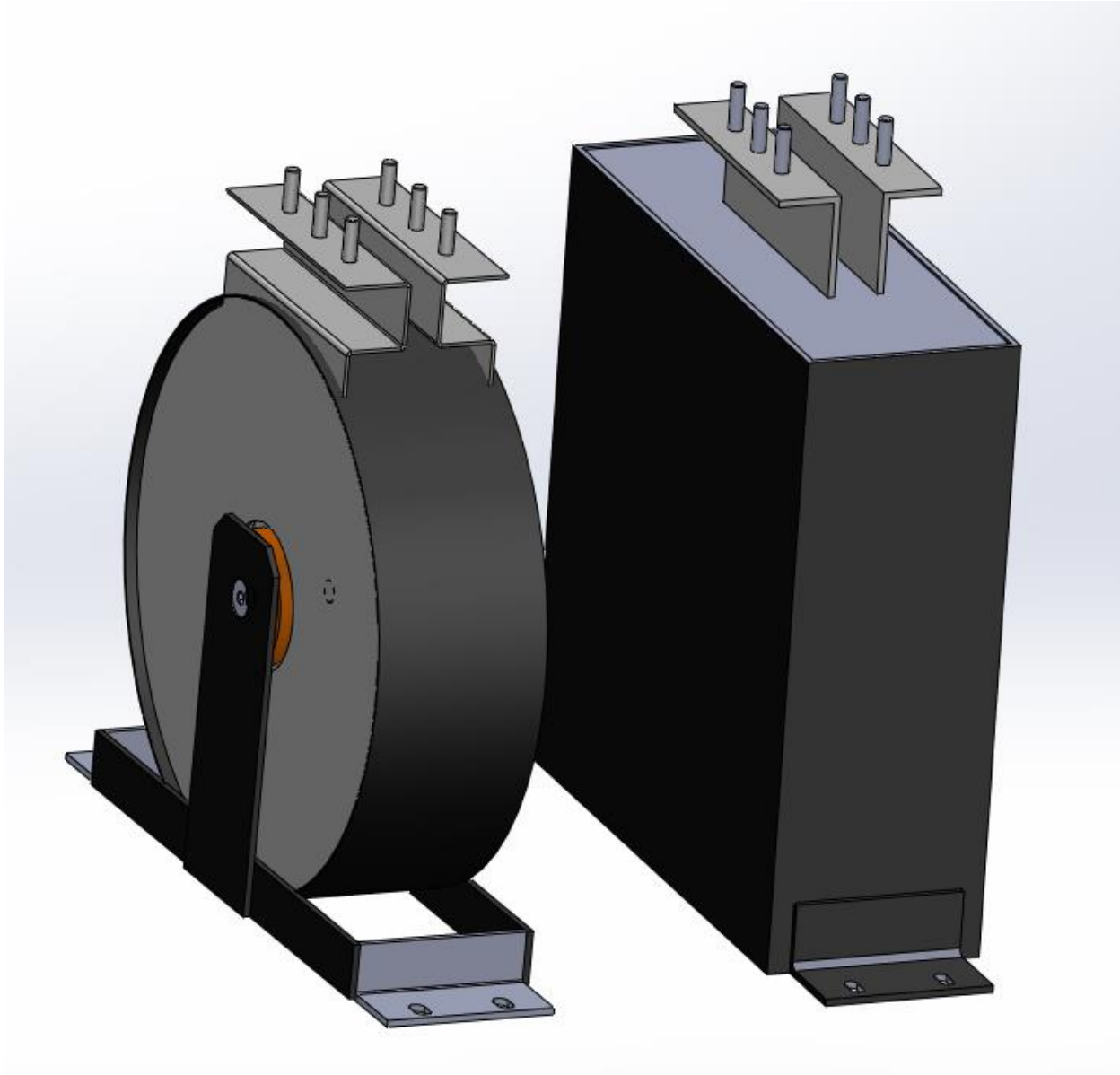
Mechanical Specifications

Dimensions:	See layout drawing for details
Packaging:	Winding encapsulated, mounted on steel stand
Construction:	Single winding with terminal and studs (can be customized)
Marking:	
APCS	APCS company identification
700D722	Part number
1800 μ F \pm 10%	Capacitance value and tolerance
1000 Vdc	DC voltage rating
yyww-lot#-unit	Serial number (date code, lot number, unit number)

Layout Details:



Size Comparison



Revision Table		
Revision	Description	Date
Rev 1	Initial release	4/06/2023

Advanced Conversion reserves the right to amend design data

At the Leading Edge of Film Capacitor Technology