

Power Ring Film Capacitor 500 μ F, 450 Vdc

The 700D50794-529 Power Ring is a 450 Vdc, 500 μ F DC Link Capacitor with an ESR of 320 micro-Ohms at 20 kHz and an ESL of less than 5 nH.



Electrical Specifications

Part #: 700D50794-529

Capacitance/Tolerance: 500 μ F \pm 10%

DC Voltage Rating: 450 Vdc

Dielectric/Construction: Metallized polypropylene.
Single section design

Dielectric Withstand Voltage: Units 100% tested at DC potential of 560 Volts for two minutes at 25°C

ESL: Less than 5 nH in a suitable laminar bus structure

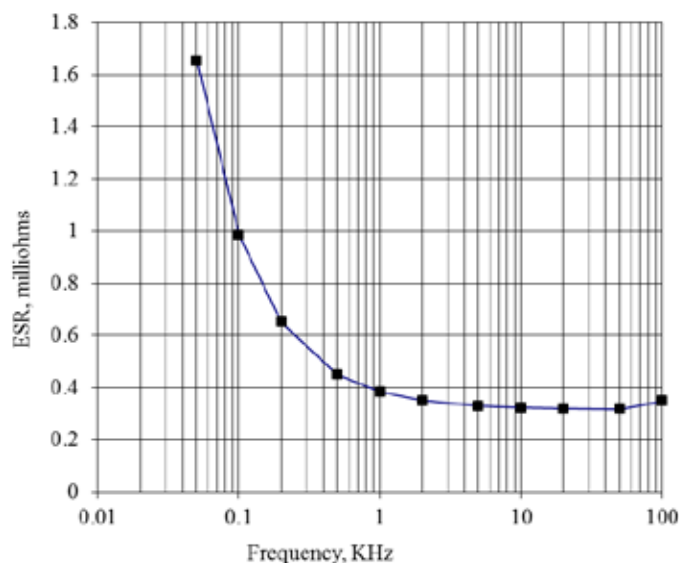
Thermal Resistance: 3.09°C/W (case side cooling only)
1.26°C/W (case and bus side cooling only)

Operating Temperature: -40°C to +85°C at full DC voltage rating

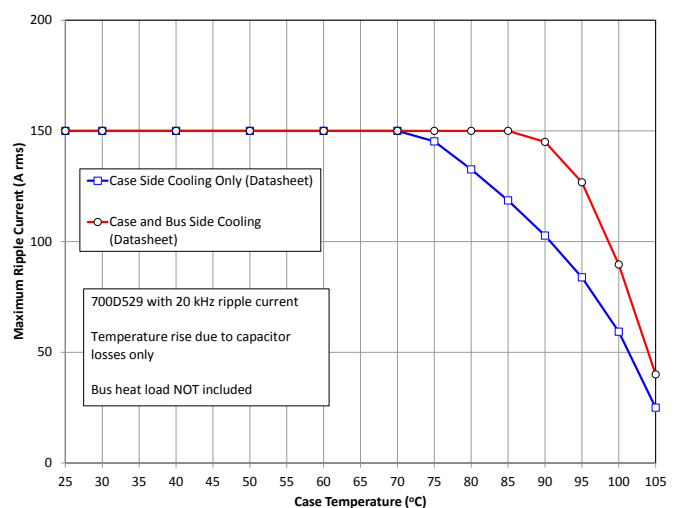
Voltage, Temperature De-rating: De-rate voltage linearly to 250 Volts from +85°C to +107°C, with respect to hotspot temperature

System Fault Current Rating: 10,000 Amps maximum (external to the capacitor)

Typical ESR vs. Frequency:



RMS Current Rating:



Advanced Conversion reserves the right to amend design data

Mechanical Specifications

Dimensions: See layout drawing for details
Terminals: Tin plated copper, 0.032" thick
Encapsulation: Molded polymeric case, potted with RTV silicone

Marking: APCS company identification
 700D529 Unique part number
 500 μ F \pm 10% Capacitance value and tolerance
 450 Vdc DC voltage rating
 yyww-lot#-unit Serial number (date code, lot number, unit number)

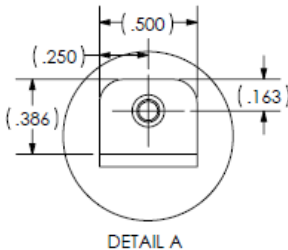
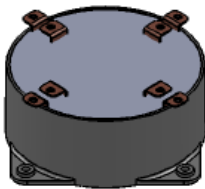
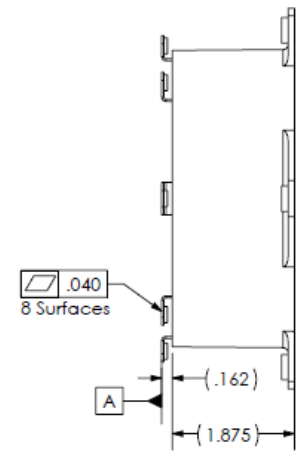
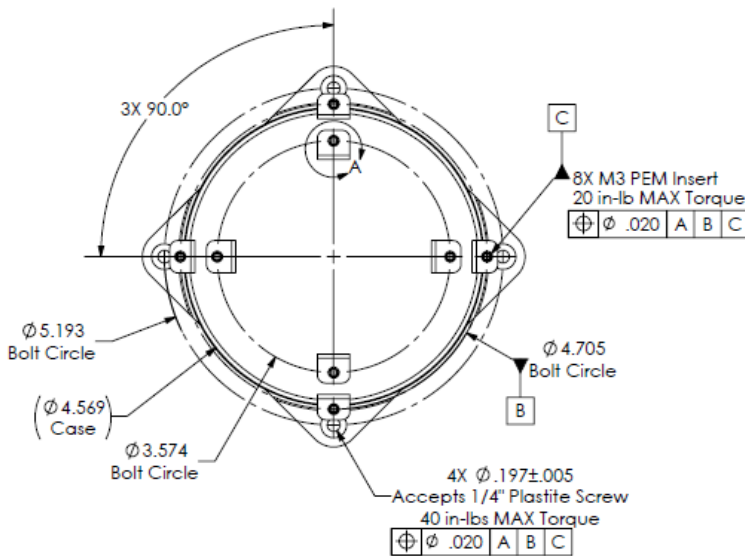
Layout Details:

Contact Advanced Conversion to discuss your specific requirements.

NOTE:

- All Hole Positions Inspected
- All Dimensions Inspected Unless Marked as Reference

Revisions					
REV.	DESCRIPTION	CHG BY	CHK BY	APR BY	DATE
01	Initial Release	-	-	-	02/14/2011



NON-TOLERANCED DIMENSIONS ARE BASIC
 UNLESS OTHERWISE SPECIFIED:
 ALL DIMENSIONS ARE IN INCHES



DRAWN	DWB	2/11/2011
CHECKED	MGS	2/14/2011
ENG APPR.	MSB	2/11/2011

Advanced Conversion
 81 PARKER ROAD, BARRE, VT 05641 USA
 Tel: 802.661.3450 ext. 104

TITLE
**Power Ring Capacitor,
 500 μ F, 450VDC**

DWG. NO.
700D529LV

DO NOT SCALE DRAWING SIZE A REV 01 SHEET 1 OF 1

PROPRIETARY AND CONFIDENTIAL
 THE INFORMATION CONTAINED IN THIS DRAWING IS THE SOLE PROPERTY OF SBE. ANY REPRODUCTION IN PART OR AS A WHOLE WITHOUT THE WRITTEN PERMISSION OF SBE IS PROHIBITED.

MATERIAL

FINISH

Advanced Conversion reserves the right to amend design data